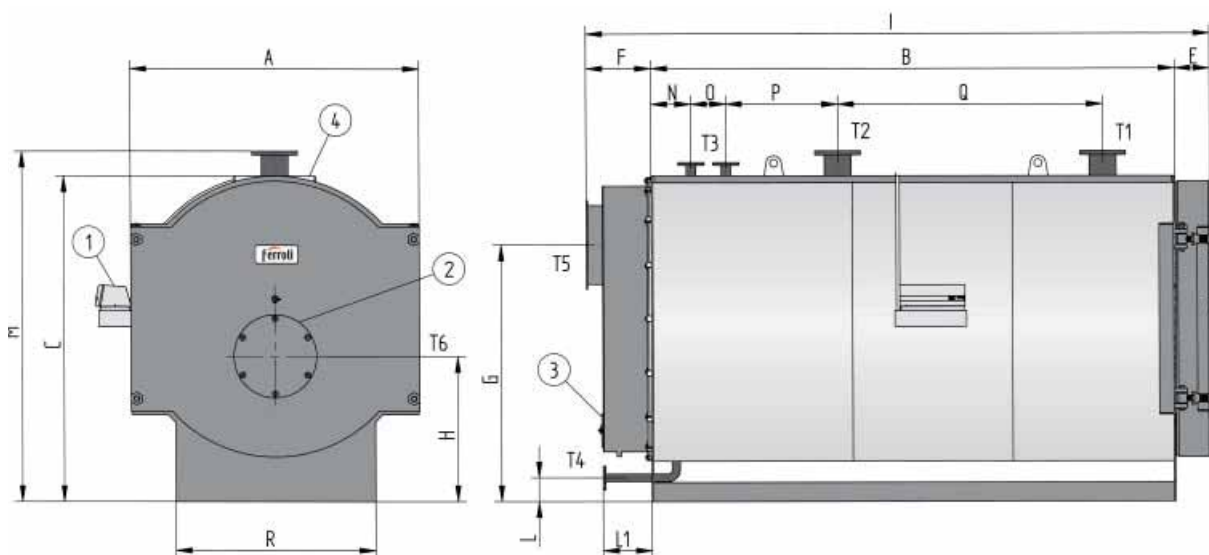


PREXTHERM T 3G (1200-5200 kW)

PREXTHERM T 3G er en varmtvannskjel med tre røykgass vendinger (3 trekk) for å gi en optimal varmeoverføring og lav røykgassmostand.

Leveres i følgende utførelse:

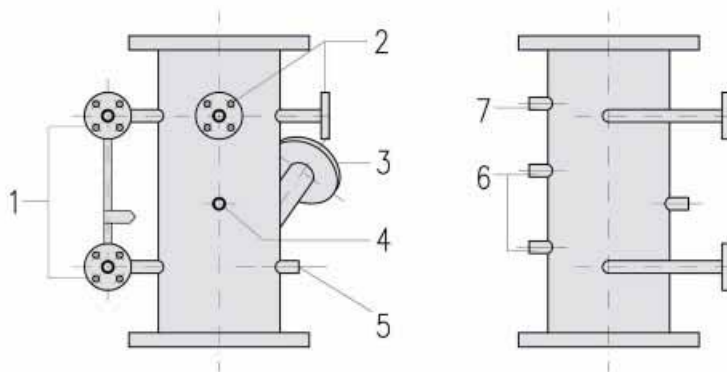
- 6 eller 10 bar design trykk
- Effekter fra 1200 til 5200 kW (se modell liste)
- 110°C eller 120°C maks design temperatur
- Stort brennkammer for lav spesifikk varmebelastning.
- Stor varmeveksler overflate
- Vendekammer med varmkjølt ende bunn
- Høy virkningsgrad minst 92%, avhengig av NOx utslipp
- CE sertifisert kjele etter EU direktiv.



Key - 1 Control panel 2 Burner mounting flange 3 Smoke box cleaning door 4 Metal platform T1 Water delivery T2 Water return T3 Expansion vessel connection T4 Discharge/Exhaust boiler T5 Chimney connection T6 Burner connection

PREXTHERM T 3G		1200	1400	1750	2000	2300	2800	3400	4000	4600	5200
Potenza utile / Heat output Nutzwärmeleistung	kW	1200	1400	1760	2000	2300	2800	3400	4000	4600	5200
Potenza focolare / Heat input Leistung Feuerraum	kW	1297	1513	1902	2162	2500	3027	3700	4345	5000	5653
Capacità totale caldaia / Boiler total capacity Gesamtwasserinhalt	l	2200	2450	3250	3650	4800	5250	5500	7250	7600	10500
Perdite di carico lato acqua / Loss pressure water side / Wasserseitiger Druckverlust	Δt 15°C mbar	35	52	45	50	70	65	90	130	170	140
Perdite di carico lato fumi / Press. drop flue gas side Abgasseitige Druckverluste	mbar	4,5	6,3	5,5	7,4	4	5,2	6,1	5,4	7,5	8,2
Portata fumi* / Flue gas flow-rate* / Abgasdurchsatz*	kg/h	2078	2424	3047	3463	3982	4848	5887	6926	7964	9003
Pressione massima esercizio / Max working pressure / Max Betriebsdruck	bar	6/10	6/10	6/10	6/10	6/10	6/10	6/10	6/10	6/10	6/10
Peso a secco / Dry weight Trockengewicht	6 bar 10 bar kg	3750 4150	3900 4400	5000 5550	5250 6000	5400 6300	5950 6700	7200 8000	8700 9600	9500 10800	11900 12700
ATTACCHI / FITTINGS ANSCHLÜSSE	T1 T2	DN 125	DN 125	DN 150	DN 150	DN 150	DN 200	DN 200	DN 200	DN 200	DN 250
	T3	DN 40	DN 40	DN 50	DN 50	DN 50	DN 50	DN 65	DN 65	DN 80	DN 80
	T4	DN 40	DN 40	DN 40	DN 40	DN 40	DN 40	DN 40	DN 40	DN 40	DN 40
	T5	Øe mm	400	400	450	450	450	500	500	600	600
DIMENSIONI / DIMENSIONS ABMESSUNGEN	A	mm	1540	1540	1760	1760	1890	2010	2010	2250	2460
	B	mm	2700	2950	3020	3270	3600	3600	3850	4000	4500
	C	mm	1760	1760	2030	2030	2160	2280	2280	2505	2630
	E	mm	200	200	200	220	220	220	250	250	300
	F	mm	300	300	350	350	350	350	400	400	400
	G	mm	1250	1250	1450	1450	1530	1650	1650	1800	1960
	H	mm	790	790	915	915	960	1000	1000	1070	1075
	I	mm	3200	3450	3550	3840	3893	4170	4500	4650	4950
	L	mm	100	100	150	150	120	150	150	150	150
	L1	mm	250	250	300	300	300	300	350	350	350
	M	mm	1910	1910	2180	2180	2310	2430	2430	2655	2780
	N	mm	150	150	250	250	250	300	300	300	300
	O	mm	250	250	250	250	250	250	250	300	300
	P	mm	600	600	670	670	750	750	750	800	800
	Q	mm	1300	1550	1420	1650	1850	2100	2250	2400	2550
	R	mm	1100	1100	1250	1250	1300	1350	1350	1650	1750

* Oil fuel: CO₂ = 13% - Gas fuel: CO₂ = 10%



INSTRUMENT MANIFOLD ON THE OUTLET

- 1 Level gauge
- 2 Pressure switches
- 3 Safety probe
- 4 Thermometer
- 5 Free fitting
- 6 Free fitting
- 7 Test cock

Prodotto:

Varenr:

Kode:

Pris:

Ferroli Prextherm T 3G (1200 kW)	-----	-
Ferroli Prextherm T 3G (1400 kW)	-----	-
Ferroli Prextherm T 3G (1750 kW)	-----	-
Ferroli Prextherm T 3G (2000 kW)	-----	-
Ferroli Prextherm T 3G (2300 kW)	-----	-
Ferroli Prextherm T 3G (2800 kW)	-----	-
Ferroli Prextherm T 3G (3400 kW)	-----	-
Ferroli Prextherm T 3G (4000 kW)	-----	-
Ferroli Prextherm T 3G (4600 kW)	-----	-
Ferroli Prextherm T 3G (5200 kW)	-----	-